

PRODUCT INFORMATION PACKET

marathon[®]
Motors

Model No: 284TSTDC6003
Catalog No: U292
30,3600,DP,284TS,3/60/575
Open Drip Proof (ODP)



Regal and Marathon are trademarks of Regal Beloit Corporation or one of its affiliated companies.
©2018 Regal Beloit Corporation, All Rights Reserved. MC017097E

REGAL[®]



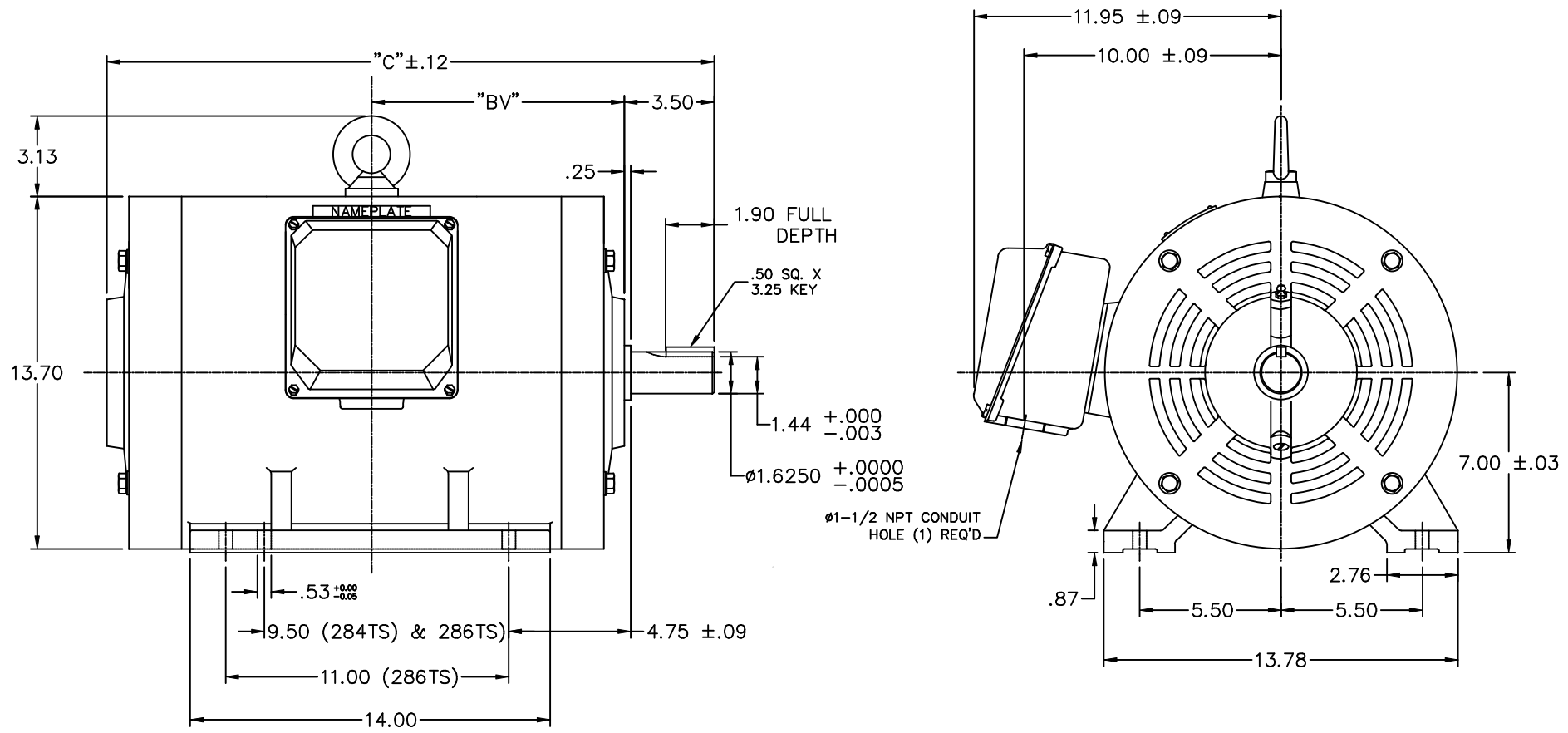
Nameplate Specifications

| | | | |
|----------------------------|-------------------|------------------------|-------------------|
| Output HP | 30 Hp | Output KW | 22.4 kW |
| Frequency | 60 Hz | Voltage | 575 V |
| Current | 27.0 A | Speed | 3550 rpm |
| Service Factor | 1.15 | Phase | 3 |
| Efficiency | 92.4 % | Duty | Continuous |
| Insulation Class | F | Design Code | B |
| KVA Code | G | Frame | 284TS |
| Enclosure | Drip Proof | Overload Protector | No |
| Ambient Temperature | 40 °C | Drive End Bearing Size | 6312 |
| Opp Drive End Bearing Size | 6211 | UL | Recognized |
| CSA | Y | CE | Y |
| IP Code | 12 | | |

Technical Specifications

| | | | |
|-------------------|-------------------------------------|-----------------------|-------------------------|
| Electrical Type | Squirrel Cage Inverter Rated | Starting Method | Line Or Inverter |
| Poles | 2 | Rotation | Reversible |
| Mounting | Rigid base | Motor Orientation | Horizontal |
| Drive End Bearing | Ball | Opp Drive End Bearing | Ball |
| Frame Material | Cast Iron | Shaft Type | TS |
| Overall Length | 22.17 in | Shaft Diameter | 1.625 in |
| Shaft Extension | 3.5 in | Assembly/Box Mounting | F1/F2 Capable |
| Outline Drawing | 16955360ME | Connection Diagram | 005190.01 |

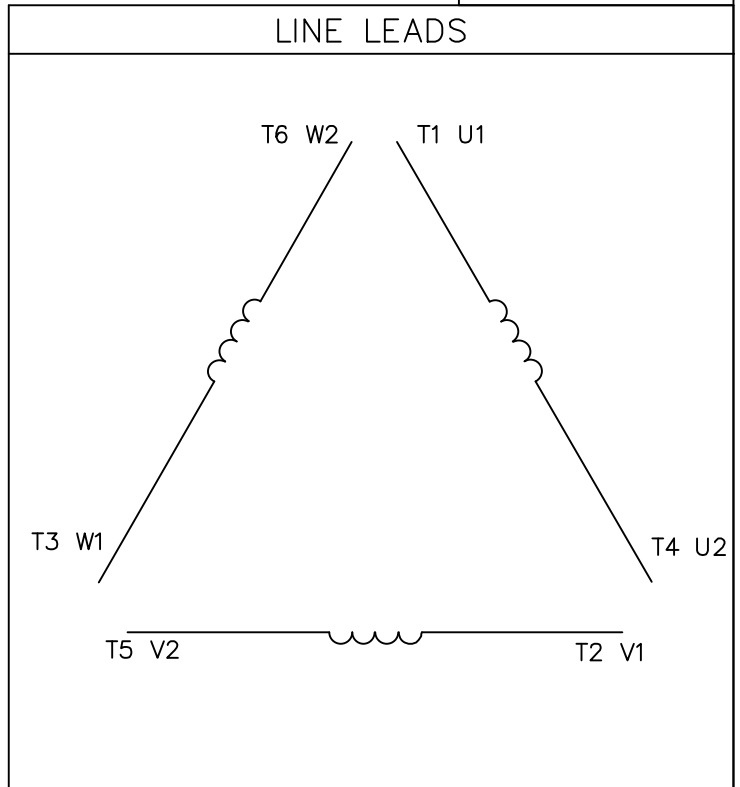
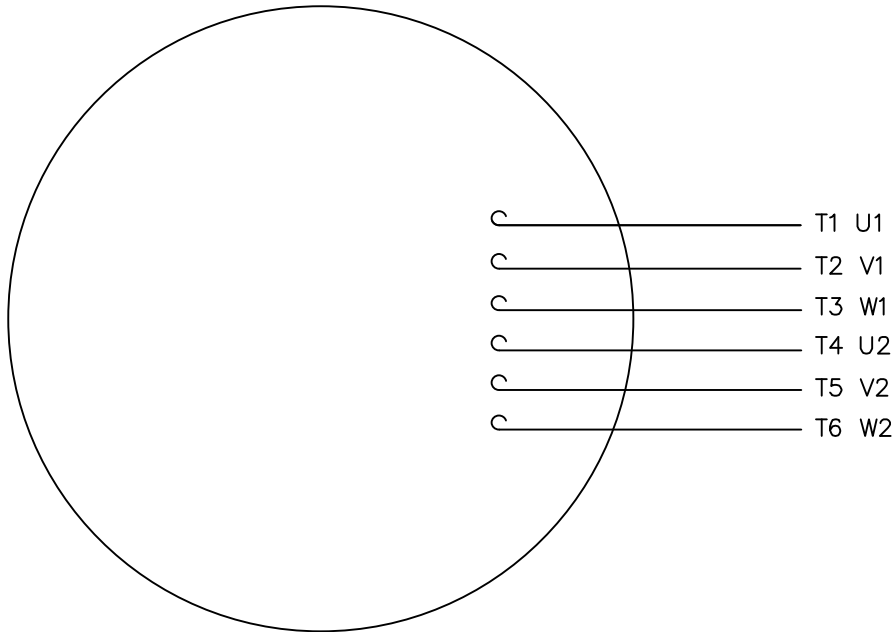
This is an uncontrolled document once printed or downloaded and is subject to change without notice. Date Created: 07/02/2018



NOTE: 286T HAS 6 MTG. HOLES, USING 254T AND 256T LOCATIONS

| FRAME DESIGN | "C" | "BV" |
|--------------|-------|------|
| 284TS | 22.17 | 9.11 |
| 286TS | 23.62 | 9.83 |

| | | TOLERANCES UNLESS SPECIFIED | | MARATHON ELECTRIC | | DRAWN CTO 04-24-2002 | | | |
|----------------------------------------------------------------------------------------------------------------------------------------------------------------------------------------------------------------------------------|-----------------|-----------------------------|----------|-------------------|----------|----------------------|---------------|-------------|------|
| | | DEC. | INCHES | | | CHK | ML 05-20-2002 | | |
| | | .X | ±.1 | | | APPD | SB 05-21-2002 | | |
| | | .XX | ±.03 | TITLE | | SCALE 1=1 | | | |
| 2 | UPDATED DRAWING | RJW | 04-25-07 | .XXX | ±.005 | REF | | | |
| 1 | NEW DRAWING | CTO | 05/21/02 | .XXXX | ±.0005 | MAT'L CAST IRON | | | |
| NO. | REVISION | BY & DATE | CHK | ANG | ±1/2" | FINISH | | | |
| THIS DRAWING IN DESIGN AND DETAIL IS OUR PROPERTY AND MUST NOT BE USED EXCEPT IN CONNECTION WITH OUR WORK ALL RIGHTS OF DESIGN AND INVENTION ARE RESERVED THIS IS AN ELECTRONICALLY GENERATED DOCUMENT - DO NOT SCALE THIS PRINT | | | | RFP | CAD FILE | 16955360me | SIZE | DRAWING NO. | REV. |
| | | | | DIST | | B | 169553-60ME | 2 | |



| | L1 | L2 | L3 | JOIN |
|-------------|--------------------|--------------------|--------------------|--------------------------|
| START (WYE) | T1 U1 | T2 V1 | T3 U2 | (T4,T5,T6) (U2,V2,W2) |
| RUN (DELTA) | (T1,T6) (U1,W2) | (T2,T4) (V1,U2) | (T3,T5) (W1,V2) | |

TOLERANCES UNLESS OTHERWISE SPECIFIED

DECIMALS

LEESON ELECTRIC CORPORATION

| NO. | REVISION | BY | DATE | FRACTIONS | ± | SCALE |
|-----|-------------------------|-----|-----------|-----------|---------|-------------------|
| 03 | ADDED IEC DESIGNATIONS | MOL | 4/27/2012 | .00 | ± .01 | DRAWN PG 05/07/82 |
| 02 | REMOVED OBSOLETE STATUS | KJH | 6/28/99 | .000 | ± .005 | CH'K'D. TEM |
| 01 | REDRAWN ON CAD | DBT | 05/30/97 | .0000 | ± .0005 | APPR. 05/07/82 |

| TITLE | MAT'L. |
|-----------------------------------------------|-----------------------------------------------------------|
| EXT. WIRING DIAGRAM STAR START - DELTA RUN | Y-CONNECTED START DELTA CONNECTED RUN - SINGLE VOLTAGE |

THIS DRAWING IN DESIGN AND DETAIL IS OUR PROPERTY AND MUST NOT BE USED EXCEPT IN CONNECTION WITH OUR WORK ALL RIGHTS OF DESIGN AND INVENTION ARE RESERVED

ANGLES ± 1/2"
INCH/MM

REF. T2E
FMF ELECTRO POWER

FINISH

SIZE A

DRAWING NO.
005190-01

Data Sheet

Date: 19-06-2017
 Customer: _____
 Attention: _____
 Submitted by: FAREEDA DUDEKULA



284TSTD6003

Submittal

Data @ 575 V

Motor Load Data

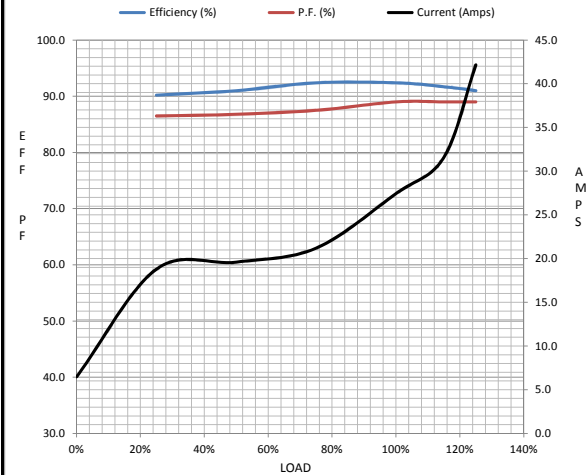
| Load | 0% | 25% | 50% | 75% | 100% | 115% | 125% | LR |
|----------------|------|------|------|------|------|-------|------|------|
| Current (Amps) | 6.5 | 18.8 | 19.6 | 21.2 | 27.4 | 31.6 | 42.2 | 174 |
| Torque (ft-lb) | 0.00 | 29.5 | 30.9 | 33.8 | 44.5 | 51.2 | 56.2 | 82.0 |
| RPM | 3600 | 3575 | 3570 | 3565 | 3550 | 3,540 | 3535 | 0 |
| Efficiency (%) | | 90.2 | 91.0 | 92.4 | 92.4 | 91.7 | 91.0 | |
| P.F. (%) | 9.0 | 86.5 | 86.8 | 87.5 | 89.0 | 89.0 | 89.0 | 36.0 |

Motor Speed Data

| | LR | Pull-Up | BD | Rated | Idle |
|----------------|------|---------|------|-------|------|
| Speed (RPM) | 0 | 1800 | 3350 | 3550 | 3600 |
| Current (Amps) | 174 | 160 | 114 | 27.4 | 6.5 |
| Torque (ft-lb) | 82.0 | 67.0 | 125 | 44.5 | 0.00 |

Information Block

| | | | | |
|----------------------------|----------------|--------|--------|--------|
| HP | 30.0 | | | |
| Sync. RPM | 3600 | | | |
| Frame | 284 | | | |
| Enclosure | DP | | | |
| Construction | TDC | | | |
| Voltage | 575 V | | | |
| Frequency | 60 Hz | | | |
| Design | A | | | |
| LR Code letter | G | | | |
| Service Factor | 1.15 | | | |
| Temp Rise @ FL | 45 ° C | | | |
| Duty | CONT | | | |
| Ambient | 40 ° C | | | |
| Elevation | 1,000 feet | | | |
| Rotor/Shaft wk² | 0.00 Lb-FT² | | | |
| Ref Wdg | T14502007 NONE | | | |
| Sound Pressure @ 1M | 78 dBA | | | |
| VFD Rating | CONSTANT 10:1 | | | |
| Outline Dwg | 16955360ME | | | |
| Conn. Diag | 51090.01 | | | |
| Additional Specifications: | | | | |
| 0 | | | | |
| 365THFS8036 | | | | |
| EQUIV CKT (OHMS / PHASE) | | | | |
| R1 | R2 | X1 | X2 | Xm |
| 0.0000 | 0.0000 | 0.0000 | 0.0000 | 0.0000 |



Speed -Torque Curve

